

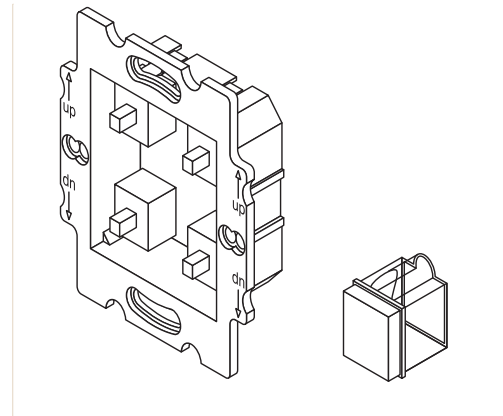
# 2 Product Bulletins

## 2.1 Switches

### 2.1.1 24 Volt Push Buttons

#### GENERAL DESCRIPTION

The Lithoss 24V pushbuttons are an ideal solution for domotics installations. A simple design and accessible screw terminals make it easy to install them.



#### TECHNICAL SPECIFICATIONS

Switching function	SPST (ON) - OFF
Maximum load	All buttons are combined on 1 common contact 9 W AC - 6 W DC    Max. 250 mA / 120 V
Dielectric strength	1000 V RMS
Contact material	Silver
Lifecycle	+ 1.500.000 cycles
Protection value	IP41
Connection method	PCB mounted screw terminal
Advised wallbox type	Depth    45mm or deeper, with screws Size        internal Ø60mm or 50x50mm

#### APPROVAL

CE	Conform
RoHS	RoHS compatible

#### INCLUDED PARTS

Cover plate, Frame with pushbuttons, Mounting frame, Buttons, Hook (removal tool), Installation manual

#### AVAILABILITY

Switches	SB1T	SB2T	SB3T	SB4T
	SB11T	SB22T	SB44T	SB42T
Switches & module	SB1TMG	SB2TMGL	SB2TMGR	SB4TMG