

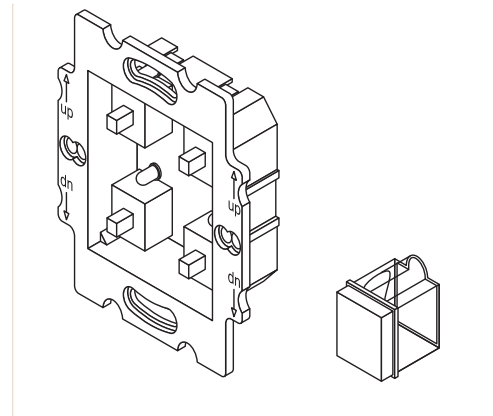
2 Product Bulletins

2.1 Switches

2.1.6 KNX/EIB version

GENERAL DESCRIPTION

The Lithoss 24V pushbuttons (with or without LED's) are now available in a KNX/EIB version. The pushbutton frames are delivered with a plug & play wired KNX/EIB pushbutton interface reducing the installation time to an absolute minimum. All buttons and LED's can then be separately programmed to their own specific function using the ETS software.



TECHNICAL SPECIFICATIONS

Switching functions	Multiple functions including : On/Off, Dimming, Up/Down, Scene's, ... <i>More info can be found in the application software guide.</i>
LED functions	Status indication, or independant output
BUS connection	Twisted Pair - 30 VDC
BUS consumption	max. 15mA
Lifecycle	+ 1.500.000 cycles
Protection value	IP30
Connection method	Red / Black KNX connector
Advised wallbox type	Depth 45mm or deeper, with screws Size internal Ø60mm or 50x50mm

APPROVAL

CE	Conform
RoHS	RoHS compatible

INCLUDED PARTS

Cover plate, Frame with pushbuttons, Mounting frame, Buttons, Hook (removal tool), LED-spacer (optional), Installation manual
Plug & Play KNX-interface

AVAILABILITY

Switches	SB1T	SB2T	SB3T	SB4T
	SB11T	SB22T	SB44T	SB42T
Switches & module	SB1TMG	SB2TMGL	SB2TMGR	SB4TMG