

Product Bulletins

Switches

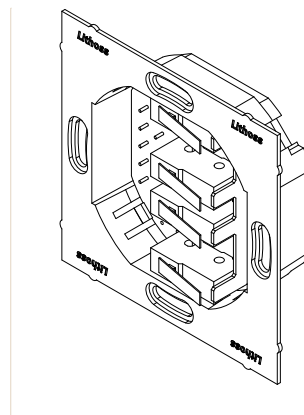
Push Buttons

GENERAL DESCRIPTION

The Lithoss Piano pushbuttons are very simple to work with, but are in fact extremely versatile. They can be combined with various micro module's that will determine the buttons function. Timer functions, dim units and store controllers are just some of the many possibilities. They are also an ideal solution for domotics installations.

The mounting frame can be turned 90°.

Not suitable for wall boxes without screws.



TECHNICAL SPECIFICATIONS

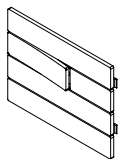
Switching function	SPST (ON) - OFF
Maximum load	All buttons are combined on 1 common contact 10A at 250VAC (resistive load)
Dielectric strength	1000 V RMS
Contact material	Silver
Lifecycle	10.000.000 mechanically / 50.000 at full load
Protection value	IP41
Connection method	PCB mounted quick connect terminal
Advised wallbox type	Depth 45mm or deeper, with screws Size internal Ø60mm or 50x50mm

APPROVAL

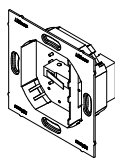
CE	Conform
RoHS	RoHS compatible

INCLUDED PARTS

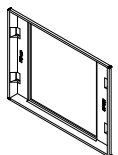
Piano cover



Mounting frame with double removable connectors



Piano backcover



Piano hook (removal tool), Installation manual



Piano
by Lithoss

IMPORTANT : Technical data is subject to change without notice. Please check our website for latest information.