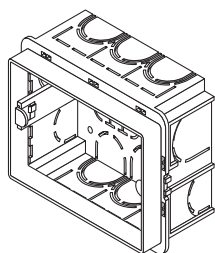
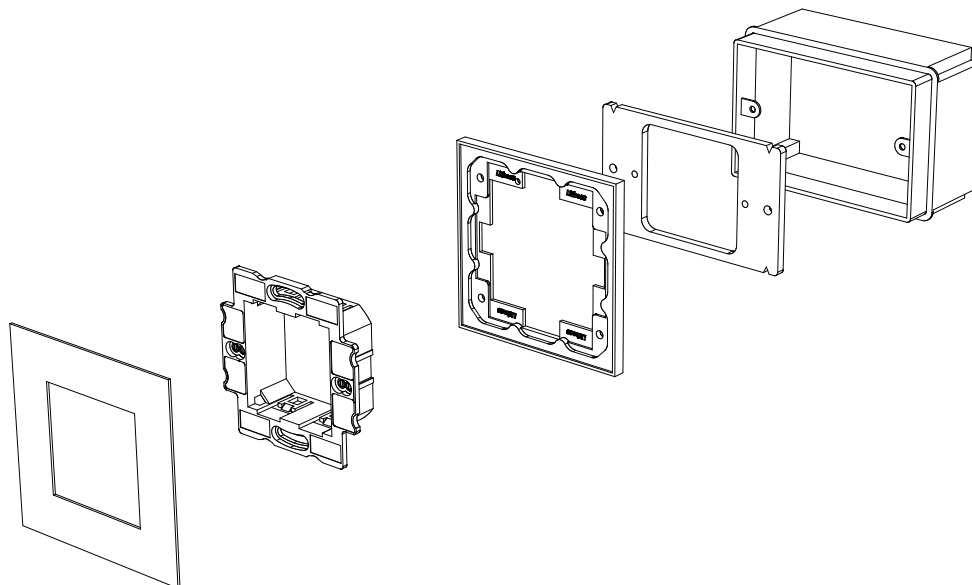


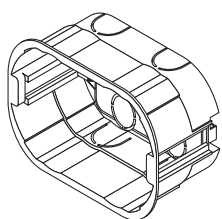
# 6 Wall Boxes

## 6.2 Bticino Wall Boxes

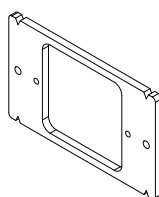
Lithoss switches and sockets are compatible with Bticino boxes (Italian Standard) by using an adaptation plate. Some products are direct compatible (see table below). There will always be a part visible of the adaptation plate that should be plastered over to finish.



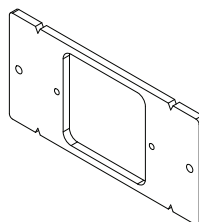
|              |                       |                                   |
|--------------|-----------------------|-----------------------------------|
| <b>503 E</b> | Direct compatible     | SB3MT                             |
|              | with adaptation plate | 1T, 2T, 3T, 4T, MG, B2M, QLW, ... |
| <b>504 E</b> | Direct compatible     | SB4MT                             |
|              | with adaptation plate | 1T, 2T, 3T, 4T, MG, B2M, QLW, ... |
| <b>506 L</b> | with adaptation plate | 11T, 22T, 44T, MMG, ...           |



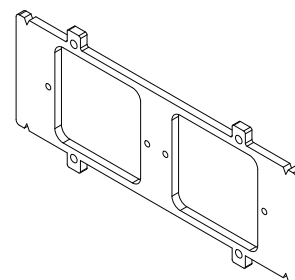
|               |                       |                                   |
|---------------|-----------------------|-----------------------------------|
| <b>PB 503</b> | Direct compatible     | SB3MT                             |
|               | with adaptation plate | 1T, 2T, 3T, 4T, MG, B2M, QLW, ... |
| <b>PB 504</b> | Direct compatible     | SB4MT                             |
|               | with adaptation plate | 1T, 2T, 3T, 4T, MG, B2M, QLW, ... |
| <b>PB 506</b> | with adaptation plate | 11T, 22T, 44T, MMG, ...           |



Li4200  
Adaptation plate for wall box 503



Li4201  
Adaptation plate for wall box 504



Li4202  
Adaptation plate for wall box 506