

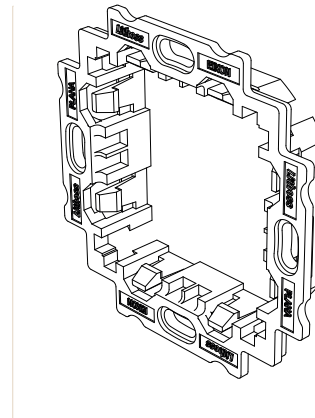
2 Product Bulletins

2.2 Frames

2.2.2 Vimar

GENERAL DESCRIPTION

The Vimar frame is the latest addition to the Lithoss modules range. This frame makes it possible to integrate sockets and outlets from two different Vimar models in the Lithoss design. The frame is compatible with modules out of the Plana range which contains of two colors, and the Eikon range which contains of three colors.



TECHNICAL SPECIFICATIONS

Compatible modules	Vimar Plana	White	Silver	
	Vimar Eikon	Grey	Next	White
Available space	2 modules			
*SBMK	2 modules for sockets only			
*SB3MT	3 modules (only for Vimar wall boxes V71303(.AU) / V71613)			
*SB4MT	4 modules (only for Vimar wall boxes V71304(.AU) / V71614)			

APPROVAL

Approval dependant on module used

INCLUDED PARTS

Cover plate, Frame for modules, Mounting frame, Protection pad, Hook (removal tool), Installation manual

AVAILABILITY

Modules	SBMG	SBMMG	SBMMM	SBMK	SB3MT
Switches & module	SB1TMG	SB2TMGL	SB2TMGR	SB4TMG	SB4MT